

Rhino2 Fine Particle Strainer (FPS)

This fine particle strainer is universally adaptable to a wide range of installations.

MOUNTING OPTIONS:

- Directly on the floor
- Leg mounted (legs provided)
- Wall mounted

*Leg and wall mounted are the preferred methods allowing the unit to be easily cleaned underneath.

Leg Mount:

- Legs can be cut with saw or tubing cutters to any desired length

Wall Mount:

- Drill 4 holes to accommodate the size anchor you are using into the back of the filter
- Purchase appropriate anchor at local store (be sure to put a washer under each anchor)

THE INLET:

- Can be installed on either side, rear or top
- There could be 2 inlets if needed (you need to request a second inlet fitting)

THE OUTLET:

- Can be located on all four sides of the bottom

*For location of inlet and outlet holes refer to the diagrams below.

*This configuration offers a wide range of installation possibilities allowing you to install most anywhere.

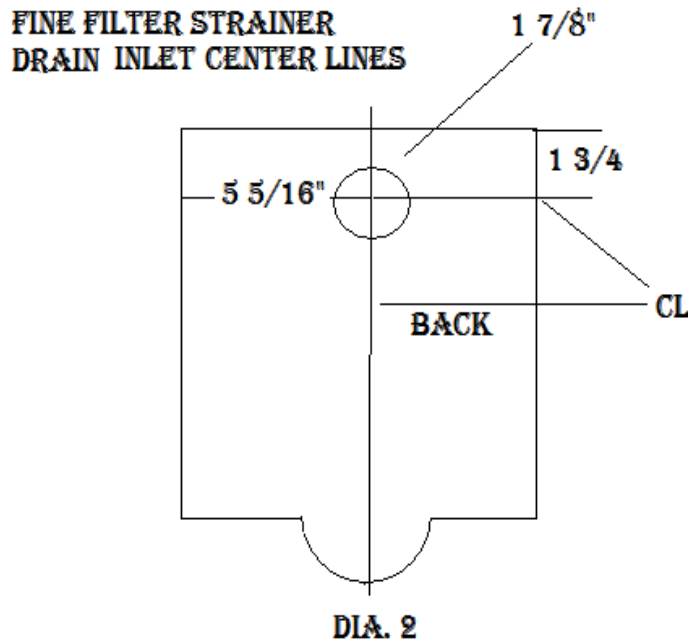
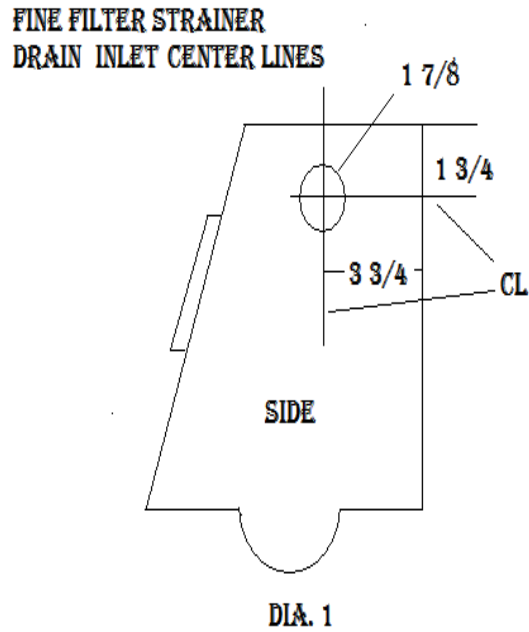
INSTALLATION TOOLS:

- Power drill
- 1 7/8" hole saw
- Channel lock pliers or equivalent
- Utility knife

PREPARATION & INSTALLATION:

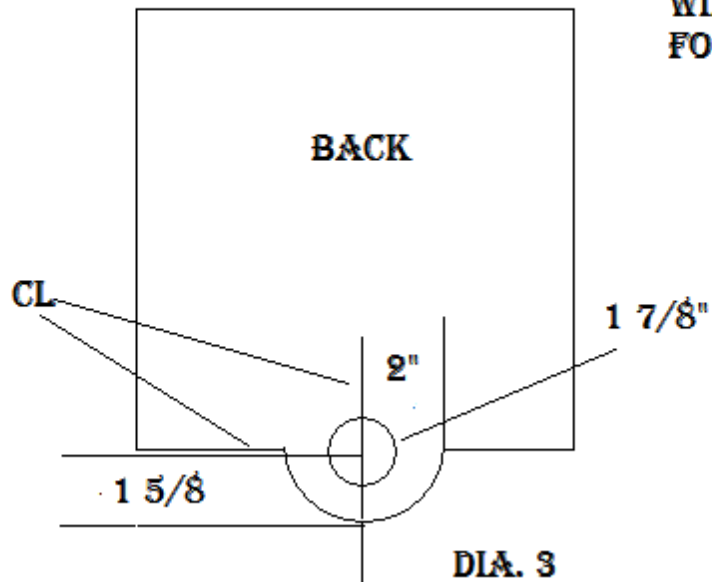
- Locate the best possible position to install the filter (This will determine the inlet and outlet openings and the type of mounting required)
- Remove all equipment sent inside the filter
- Measure and drill inlet hole in the top of the unit (1 7/8") Diagram 1 & 2
- Measure and drill outlet hole in the bottom of the unit (1 7/8") Diagram 3
- Deburr both openings with a knife.
- Installation of the inlet fitting (white 90° fitting).
 - Remove 1½" slip joint nut from fitting, place filter bag over the slip joint end of the fitting and replace the nut onto the fitting.
 - Remove the large nut on the other end of the fitting from the slip joint side, leaving the rubber gasket on the fitting. Insert 1½" fitting with rubber gasket from inside the filter to the outside
 - Place 1½" nut on protruding threads and tighten down (care should be given not to over tighten)
- Locate position for bottom outlet side, front or rear
- Measure 1 7/8" from the bottom of the rounded drain port up and mark it
- Measure 2" horizontally from the edge of the rounded part of the drain port (Diagram 3)
- Deburr the hole with knife
- Separate the fitting that was supplied, leaving 1 nylon and 1 rubber gasket on threaded end.
- Insert nipple end from outside to inside at pre-drilled hole on bottom
- Reinstall large flat washer, nylon washer and nut onto nipple and tighten (care to be given to not over tighten)
- Connect drain line to appropriate pipes the FPS comes with (1) 1 ½" threaded connection at inlet and (1) 1 ½" glue connection at the outlet.
- Once all the connections have been made place the screen inside the strainer lying flat on the bottom.

- Check to see that the replaceable filter bag is still in place and secure



**FINE FILTER STRAINER
DRAIN OUTLET CENTER LINES**

**THESE
MEASUREMENTS
WILL WORK ON ALL
FOUR SIDES**



REPLACING THE FILTER:

- Remove the round cover from the strainer.
- Reach in and loosen the 1½" slip joint nut holding the filter in place
- Pull the filter off the threaded fitting
- Remove the nut from filter bag
- Tie a knot in the end and discard
- Open up the top of the filter bag and slide the bag over the fitting threads, make sure to pull the elastic end of the filter bag past the threads. The nut will go on much easier.
- Place the end of the hanging filter bag into the 1½" nut
- Slide the nut up to the fitting and thread it on
- **This nut is to hold the filter in place. It is **very important** to put it back on after changing the filter
- Replace the round cover

The filter should be checked daily until a replacement schedule can be established

**If the drain from the sink slows down, check and replace the filter
IT MAY BE FULL**

ORDER REPLACEMENT FILTERS AT WWW.DRAIN-NET.COM

Procedure for Cleaning Fine Particle Strainer (FPS)

- Open F.P.S. and remove old filter using the lid to transfer to garbage can.
- Remove grate and bring to 3 compartment sink. Using a scrub pad and either a non-butyl or cleaner disinfectant clean both sides of grate until all build-up is removed. Rinse grate and set aside.
- With a “Bottle Brush” clean interior influent and effluent connections.
- Using a scrub pad and either a non-butyl or cleaner disinfectant clean the entire interior of the F.P.S.
- Clean influent “90” with filter and coupling off. Clean threading on “90” and coupling well.
- Clean inside of lid, making sure gasket is secure.
- With lid off, run water through F.P.S. and rinse interior. Continue until standing water in bottom is clear.
- Using a clean rag and either a non-butyl or cleaner disinfectant, clean entire exterior of the F.P.S. to include legs and all surrounding P.V.C. piping.
- Spray “Odor-Eliminator” liberally inside F.P.S.
- Replace grate and secure a new filter. Replace lid and finish!

*****ORDER REPLACEMENT FILTERS AT WWW.DRAIN-NET.COM

How To Change The Filter On The Fine Particle Strainer (FPS)

- Put on a pair of rubber gloves
- Grasp the round front section of the “Black Box” with two hands and turn counter-clockwise to remove cover and set aside. *(Cover will have a snug fit, slow and steady pressure will unlock the seal)
- Reach inside and up the “Black Box” and grasp the white round coupling which holds the filter in place. Turn the coupling clock-wise with slight pressure downward to remove coupling. Set coupling aside.
- Slide top of the filter off of the white pipe downspout. Holding the filter by the top, remove the filter with the contents in it from the “Black Box” and discard the filter and contents in the trash.
*(You may tie a knot at the top of the filter before discarding). **CAUTION:** Filter will be wet and may drip when you remove it.
- Get a new filter from your supply. Slide open end of filter up and over the white downspout past the curve. Retrieve round white coupling. Put the bottom of the filter through the round white coupling and bring the coupling up to the threaded portion of the downspout. Making sure that the coupling is even with the downspout; turn the coupling counter-clockwise with slight upward pressure until snug.
- Retrieve the round front cover and position it over the opening in the “Black Box” and turn clock-wise until snug. *(Do Not Over tighten) This completes filter change.

REMEMBER: ** YOU MUST CHANGE THE FILTER AT LEAST ONCE A DAY!

*A more frequent replacement may be required due to your stores volume.